

PADEYES

Pad-i

self-aligning and removable



SELF-ALIGNING REMOVABLE PAD-I

With the self-aligning removable Pad-i we created the lead and upstand system that will reduce the alignment issues that all loop blocks have, to an absolute minimum. The Pad-i creates a trouble free system that allows the deck layout to be more flexible and versatile.



USED FOR:

Tack line
Genoa
Jib
Staysail
Spinnaker
Mast base

TWO MODELS

The Pad-i is available in two models, the Pad-i upstand system and the Pad-i lead system. The lead system comes with the so called "Lashing-pin". Because of the special design, it makes it possible that, in combination with our lead block, the lead to the winch is as low as possible.



Re-designed shape for optimal and maximum alignment



Pad-i upstand system



Flush deck by cap

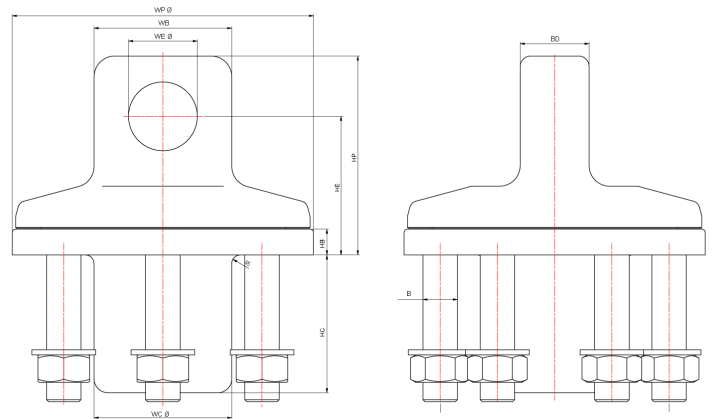
A SPECIAL SHAPE THAT ROTATES

The Pad-i is able to rotate 270 degrees which will ensure the best alignment for all the hardware. It will automatically self-align in the direction which the applied load is best distributed. This ensures that the maximum workload characteristics of the Pad-i are efficacious at all times.

The special shape of Pad-i is designed in the way that the block remains clear of the deck with the most optimal and maximum alignment for the line to the winch. This reduces the damage to an absolute minimum.

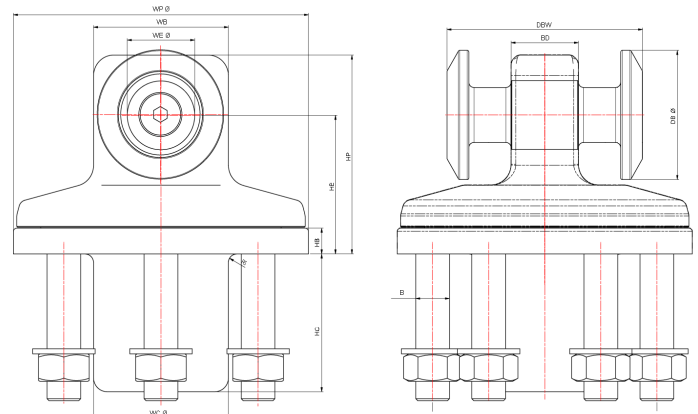


MEASUREMENT UPSTAND SYSTEM



Part	WP Ø	WB	WE Ø	WC Ø	HP	HB	HE	HC	B	BD	SWL
Pad-i U 4	104	45	26	50	76,5	53,5	8	54	M10	20	4000
Pad-i U 7	112	50	28	55	82,5	57,5	9	63	M12	22	7000
Pad-i U 10	130	57	32	58	85,5	59,5	9	63	M12	26	10000
Pad-i U 15	135	65	35	60	90,5	62	10	63	M16	30	15000
Pad-i U 20	150	70	38	65	102,5	70,5	12	68	M16	30	20000
Pad-i U 27.5	175	80	40	80	115,5	80,5	15	80	M20	40	27500
Pad-i U 35	200	95	50	105	143,5	101	18	107	M20	50	35000

MEASUREMENT LEAD SYSTEM



Part	WP Ø	WB	WE Ø	WC Ø	HP	HB	HE	HC	B	BD	DBW	DB Ø	SWL
Pad-i L 4	104	45	26	50	76,5	53,5	8	54	M10	20	66	35	4000
Pad-i L 7	112	50	28	55	82,5	57,5	9	63	M12	22	72	45	7000
Pad-i L 10	130	57	32	58	85,5	59,5	9	63	M12	26	78	50	10000
Pad-i L 15	135	65	35	60	90,5	62	10	63	M16	30	86	55	15000
Pad-i L 20	150	70	38	65	102,5	70,5	12	68	M16	30	96	65	20000
Pad-i L 27.5	175	80	40	80	115,5	80,5	15	80	M20	40	116	75	27500
Pad-i L 35	200	95	50	105	143,5	101	18	107	M20	50	140	95	35000

Dimensions in mm, unless otherwise specified.
 All data is approximate and subject to change without notice.
 Breakload approx 2x maximum workload.

Copyright
All content is copyright 2002-2016 by:
Sailingperfection Group of Companies

All images are copyright by:
Sailingperfection Group of Companies
except where mentioned.

Equiplite Europe
Leerlooiersstraat 6
8601 WK SNEEK
The Netherlands

T: +31 (0)515 41 76 34
W: www.equiplite.eu
E: info@equiplite.eu

Equiplite®