

## Equiplite™ Europe Snatch block Installation and data sheet.

Dear Customer,

Thank you for purchasing this Equiplite product(s).

### General

Equiplite products employ a proprietary DSK 75 Ultra loop to take the majority of the load in quick connectors, blocks and deck loops.

Just pass the loop through the hole and back over a groove on the fitting.

### Installation

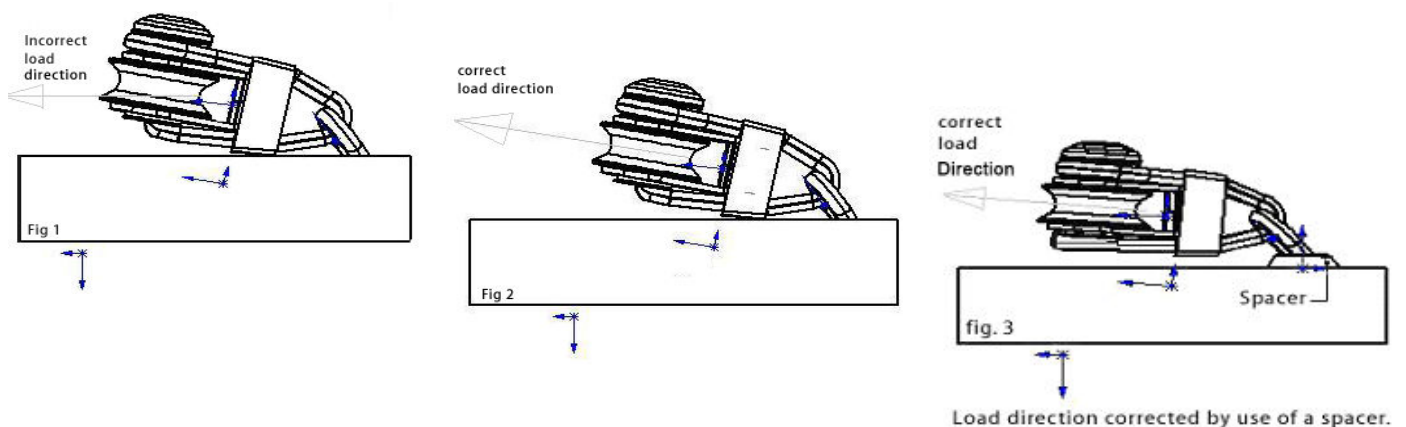
- Equiplite equipment is warranted for 12 months from the date of sale to be free of defective material and workmanship and must be used in accordance with specifications and accepted good practice.
- Loops should be connected to a mating part that is rounded and free from sharp edges or burrs.
- Blocks should be free to align themselves with the load. Blocks especially when used for deck lead blocks should not be constrained so that the load is not in line, or damaged to the side plates may result.

Fittings will last indefinitely if the above is followed.

### Maintenance

- Recoat black UV coating periodically to prevent UV damage for long life.
- After sailing in salt water, cleaning loops with fresh water will avoid extra wear.
- Equiplite products are covered or coated for protection against UV.
- Coated loops should be recoated periodically to extend life span of the loops.
- Loops should be replaced if excessive wear occurs and mating parts should be checked.
- Equiplite provides world wide service for your Equiplite products.

service@equiplite.eu



We hope that this data sheet will help you with the easy installation and maintenance of our products.  
Best Regards,

Equiplite Europe  
Lourens Poorter

