

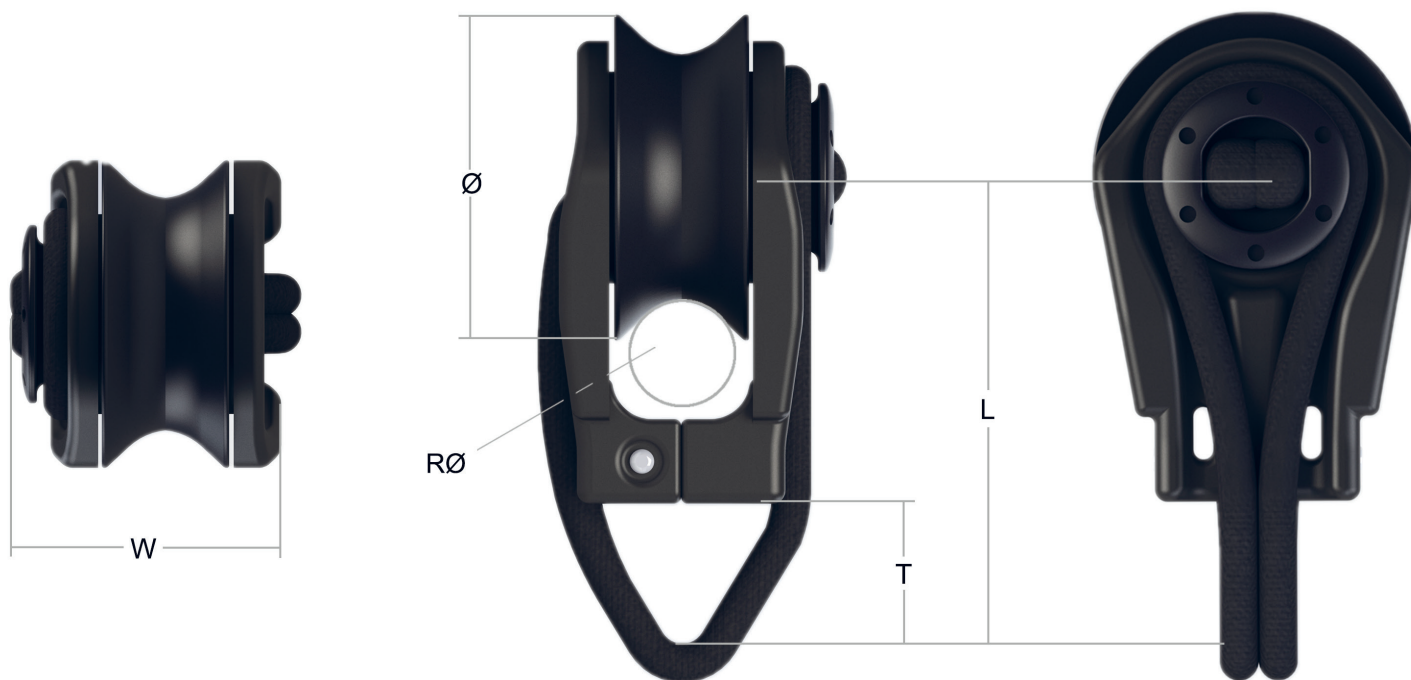
Equiplite®

Measurement sheet

CORe™ Blocks

Equiplite®

MEASUREMENT SHEET



CORE QUICK STYLE

Part	Ø	W	L	T	R Ø	Wt (g)	MWL (kg)
10-34-4 CB	34	33	57	17	10	55	2.000
12-42-5 CB	42	40	67	20	12	85	3.000
12-47-5 CB	47	40	70	22	12	90	3.000
14-48-6 CB	48	40	82	27	14	160	4.000
18-65-7 CB	65	52	105	30	18	380	6.000
20-70-8 CB	70	57	115	35	20	460	8.000
24-80-10 CB	80	65	140	45	24	610	9.500
26-100-10 CB	100	74	150	50	26	970	11.000
28-120-12 CB	120	87	181	60	28	1.695	15.000
32-135-14 CB	135	103	196	75	32	1.950	20.000
36-155-18 CB	155	120	216	80	36	2.550	30.000
40-180-22 CB	180	135	239	83	40	3.000	40.000
44-210-26 CB	210	151	264	85	44	3.500	55.000
50-240-30 CB	240	196	292	88	50	4.000	75.000

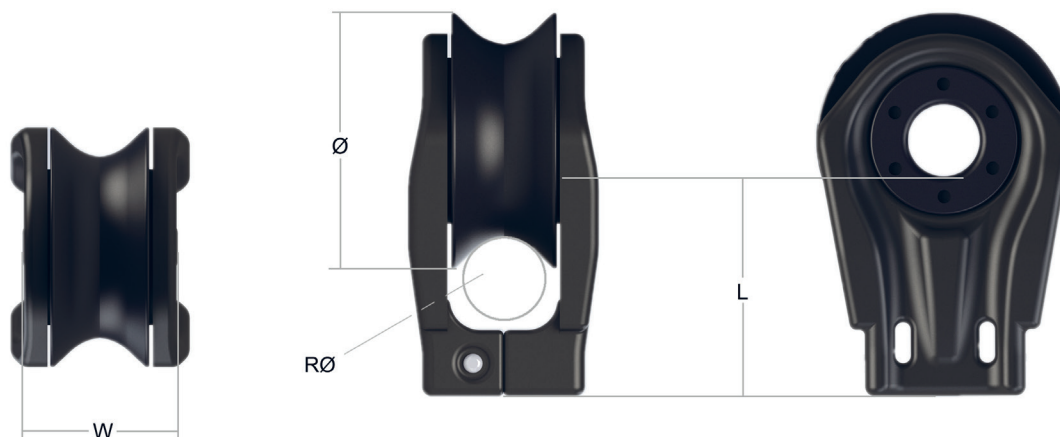
CORE UPSTAND

Part	Ø	W	L	T	R Ø	Wt (g)	MWL (kg)
10-34-4 UCB	34	33	57	Matching pad eye	10	60	2.000
12-42-5 UCB	42	40	67	Matching pad eye	12	90	3.000
12-47-5 UCB	47	40	70	Matching pad eye	12	95	3.000
14-48-6 UCB	48	40	82	Matching pad eye	14	165	4.000
18-65-7 UCB	65	52	105	Matching pad eye	18	385	6.000
20-70-8 UCB	70	57	115	Matching pad eye	20	465	8.000
24-80-10 UCB	80	65	135	Matching pad eye	24	620	9.500
26-100-10 UCB	100	74	145	Matching pad eye	26	980	11.000
28-120-12 UCB	120	87	173	Matching pad eye	28	1.710	15.000
32-135-14 UCB	135	103	196	Matching pad eye	32	2.000	20.000
36-155-18 UCB	155	120	216	Matching pad eye	36	2.620	30.000
40-180-22 UCB	180	135	239	Matching pad eye	40	3.080	40.000
44-210-26 UCB	210	151	264	Matching pad eye	44	3.600	55.000
50-240-30 UCB	240	196	292	Matching pad eye	50	4.100	75.000

CORE LEAD

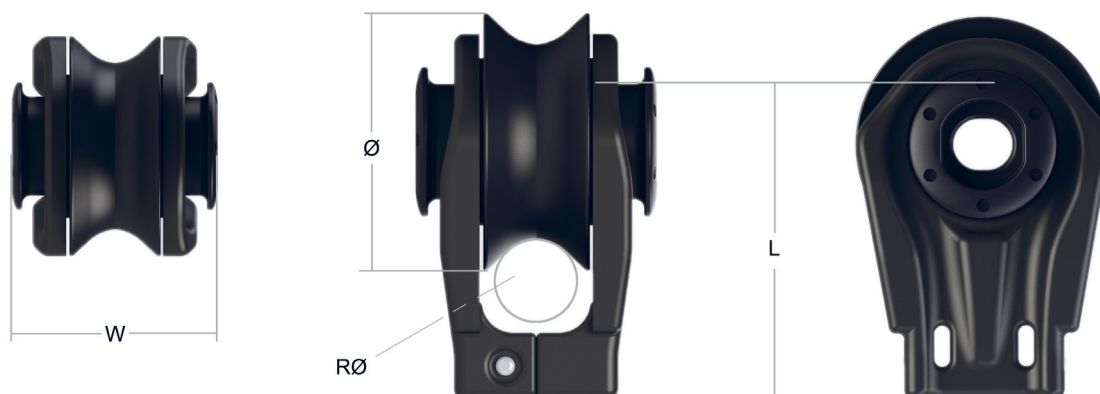
Part	Ø	W	L	T	R Ø	Wt (g)	MWL (kg)
12-42-5 LCB	42	40	67	Matching pad eye	12	90	3.000
12-47-5 LCB	47	40	70	Matching pad eye	12	95	3.000
14-48-6 LCB	48	40	82	Matching pad eye	14	165	4.000
18-65-7 LCB	65	52	105	Matching pad eye	18	385	6.000
20-70-8 LCB	70	57	115	Matching pad eye	20	465	8.000
24-80-10 LCB	80	65	135	Matching pad eye	24	620	9.500
26-100-10 LCB	100	74	145	Matching pad eye	26	980	11.000
28-120-12 LCB	120	87	173	Matching pad eye	28	1.710	15.000
32-135-14 LCB	135	103	196	Matching pad eye	32	2.000	20.000
36-155-18 LCB	155	120	216	Matching pad eye	36	2.620	30.000
40-180-22 LCB	180	135	239	Matching pad eye	40	3.080	40.000
44-210-26 LCB	210	151	264	Matching pad eye	44	3.600	55.000
50-240-30 LCB	240	196	292	Matching pad eye	50	4.100	75.000

Dimensions in mm, unless otherwise specified.
 All data approx and subject to change without notice.
 Breakload approx 2x max workload



CORE LASHING STYLE

Part	Ø	W	L	R Ø	Wt (g)	MWL (kg)
10-34-4 CBL	34	23	35	10	40	2.000
12-42-5 CBL	42	32	39	12	60	3.000
12-47-5 CBL	47	32	39	12	65	3.000
14-48-6 CBL	48	34	46	14	115	4.000
18-65-7 CBL	65	46	64	18	275	6.000
20-70-8 CBL	70	47	68	20	330	8.000
24-80-10 CBL	80	51	77	24	440	9.500
26-100-10 CBL	100	60	86	26	805	11.000
28-120-12 CBL	120	70	108	28	1.130	15.000
32-135-14 CBL	135	80	115	32	1.300	20.000
36-155-18 CBL	155	92	126	36	1.700	30.000
40-180-22 CBL	180	104	137	40	2.000	40.000
44-210-26 CBL	210	112	149	44	2.335	55.000
50-240-30 CBL	240	132	162	50	2.670	75.000



CORE 360 STYLE

Part	Ø	W	L	R Ø	Wt (g)	MWL (kg)
10-34-4 CB360	34	39	50	10	50	1.500
12-42-5 CB360	42	45	58	12	80	2.250
12-47-5 CB360	47	45	61	12	85	2.250
14-48-6 CB360	48	62	68	14	150	3.000
18-65-7 CB360	65	52	90	18	350	4.500
20-70-8 CB360	70	72	97	20	425	6.000
24-80-10 CB360	80	80	113	24	565	7.000
26-100-10 CB360	100	88	123	26	915	8.000
28-120-12 CB360	120	104	155	28	1.405	13.000
32-135-14 CB360	135	106	168	32	1.615	17.500
36-155-18 CB360	155	158	188	36	2.115	26.000
40-180-22 CB360	180	166	210	40	2.490	35.000
44-210-26 CB360	210	188	234	44	2.900	48.000
50-240-30 CB360	240	230	260	50	3.315	66.000

Dimensions in mm, unless otherwise specified.
All data approx and subject to change without notice.
Breakload approx 2x max workload

Copyright
All content is copyright 2002-2018 by:
Sailingperfection Group of Companies

All images are copyright by:
Sailingperfection Group of Companies
except where mentioned.

Equiplite®
Leerlooiersstraat 6
8601 WK SNEEK
The Netherlands

T: +31 (0)515 41 76 34
W: www.equiplite.com
E: info@equiplite.com

Equiplite®